

T.C.I. CONSORTIUM

GLOBAL E.P.C.C. GROUP



ROMANIA

ROMANIA 08:00 AM 20:00 PM 	SPAIN 07:00 AM 19:00 PM 	GRECEE 08:00 AM 20:00 PM 	U A E 12:00 AM 00:00 PM 	TURKEY 08:00 AM 20:00 PM 	BULGARIA 08:00 AM 20:00 PM 
---	---	--	---	--	--

FIELDS :

OIL & GAS (since 1907) - PETROCHEMICALS (since 1960)

ENERGY (since 1960) - IT & A.I. (since 2005)

E- mail : tci.epcgroup@yahoo.com

2025 – Presentation-T.C.I. Consortium - **strictly confidential**

PREAMBLE



one 100% Romanian story

STATEMENT OF PRINCIPLES TCI CONSORTIUM

IN THE DESIRE OF ESTABLISHING THE MOST BENEFICIAL PARTNERSHIP RELATIONS WITH OUR CURRENT AND FUTURE ASSOCIATES, WE PRESENT THIS STATEMENT, WHICH IS A GUIDE TO OUR INTENTIONS:

1. EACH CURRENT AND NEW COLLEAGUE WILL HAVE PERSONAL STATUS, THEREFORE WILL FUNCTION ADMINISTRATIVELY AUTONOMOUSLY.
2. IN OUR OPINION, THE INTERCONNECTION OF GROUP COMPANIES WILL BE EFFECTED MORE: TECHNICAL, ECONOMIC, LEGAL, EACH PARTNER HAVING RESPONSIBILITY FOR ITS FIELD.
3. WE WISH THAT T.C.I- E.P.C. GROUP, TO ESTABLISH AS A STRONG INDUSTRIAL GROUP, BUT ITS POWER COMES ESPECIALLY FROM THE POWER OF EACH PARTNER OF THE GROUP. FOR THIS REASON WE WILL MAKE SURE EVERY MEMBER ACCESSES THE RESOURCES AND DEVELOPMENT AREA.
4. THE GROUP WILL FUNCTION AS A PLATFORM IN WHICH THE REQUESTS FROM CUSTOMERS AND PARTNERS WILL BE DIRECTED TO THE SERVICE PROVIDER.
5. THROUGH ACCESS TO THESE ORDERS THE PARTNERS WILL HAVE TO COME WITH PREFERENTIAL PRICES FOR THE GROUP.
6. EXCLUSIVITY WILL NOT BE REQUESTED FOR SERVICES EXCEPT IN THE CASE OF JOINT CONTRACTS, WHICH WILL HAVE A SPECIAL REGIME.
7. EACH PARTNER WILL HAVE ACCESS TO:
 - CUSTOMER ORDERS
 - FACILITIES AND LOGISTICS
 - SUBFUNDING
 - OPPORTUNITIES TO PARTICIPATE IN INVESTMENTS
 - PREFERENTIAL RATES FOR SERVICES AND GOODS OF PARTNERS WITHIN THE GROUP
8. IF YOU WISH TO WITHDRAW FROM THE GROUP, YOU WILL HAVE THE OBLIGATION TO ENSURE THE COMPLETION OF ANY CONTRACTS IN WHICH YOU WILL BE INVOLVED ON THE DATE OF MAKING THE DECISION.
9. ALL THESE PRINCIPLES WERE ONLY TRANSMITTED OUT OF THE DESIRE TO CREATE AN EXECUTIVE ECONOMIC STRUCTURE WHICH IS FLEXIBLE AND ADAPTABLE TO THE FREQUENT CHANGES OCCURRING FROM CONSTANT SINS RECENTLY IN THE LEGISLATIVE, FISCAL AND ECONOMIC FIELDS AND COMES AS A REFLEX TO THESE TRENDS.
10. THE PARTICIPATION FREELY CONSENT BY THE MEMBERS IN THIS FORM OF ORGANIZATION, REPRESENTS PROOF THAT OUR INTEREST HAS FOUND RESONANCE WITH THE INTEREST OF EACH PARTNER AND THROUGH A SUM OF OUR EFFORTS CAN LEAD TO THE DEVELOPMENT OF A NEW - BUSINESS CONCEPT IN ROMANIA, A BUSINESS IN WHICH WE WILL HAVE TO LEARN TO USE ALL THE RESOURCES OBTAINED DURING A PREVIOUS PERIOD OF TIME. RESOURCES SUCH AS: EXPERIENCE, HISTORY, BRAND, SPECIALISTS.

This Declaration of the Founder succeeded in a period of more than 10 years to convince renowned companies to join this project “ TCI Consortium “ .



O poveste romaneasca 100%

DECLARATIE DE PRINCIPII TCI CONSORTIUM

IN DORINTA STABILIRII UNOR RELATII DE PARTENERIAT CAT MAI BENEFICE CU ACTUALII SI VIITORII NOSTRII ASOCIATI PREZENTAM ACEASTA DECLARATIE , CARE ARE ROL DE GHID AL INTENTILOR NOASTRE :

1. FIECARE ACTUAL SI NOU COLEG VA AVEA STATUT PERSONAL , DECI VA FUNCTIONA AUTONOM ADMINISTRATIV.
2. INTERCONECTAREA COMPANIILOR DIN GRUP IN OPINIA NOASTRA SE VA EFECTUA MAI MULT : TEHNIC, ECONOMIC, JURIDIC , FIECARE PARTENER AVAND RASPUNDERE PE DOMENIUL SAU.
3. DORIM CA T.C.I- E.P.C. GROUP , SA SE CONSTITUE CA UN PUTERNIC GRUP INDUSTRIAL , DAR PUTEREA SA VINA IN SPECIAL DIN PUTEREA FIECARUI PARTENER AL GRUPULUI . PENTRU ACEST MOTIV VOM URMARI CA FIECARE MEMBRU SA ACESEZE ZONA DE RESURSE SI DEZVOLTARE .
4. GRUPUL VA FUNCTIONA CA O PLATFORMA IN CARE SOLICITARILE VENITE DE LA CLIENTI SI PARTENRI VOR FI DIRECTIONATE CATRE TITULARII DE SERVICII .
5. PRIN ACCESUL LA ACESTE COMENZI PARTENERII VOR TREBUI SA VINA CU TARIFE SI PRETURI PREFERENTIALE PENTRU GRUP.
6. NU SE VA SOLICITA EXCLUSIVITATE PENTRU SERVICII DECAT IN CAZUL CONTRACTELOR COMUNE, CARE VOR AVEA UN REGIM SPECIAL.
7. FIECARE PARTENER VA AVEA ACCES LA :
 - COMENZI CLIENTI
 - FACILITATI SI LOGISTICA
 - SUBFINANTARI
 - OPORTUNITATI DE PARTICIPARE LA INVESTITII
 - TARIFE PREFERENTIALE PENTRU SERVICII SI MARFURI ALE PARTENERILOR DIN INTERIORUL GRUPULUI
8. IN CAZUL IN CARE VA DORI SA SE RETRAGA DIN GRUP VA AVEA OBLIGATIA SA ASIGURE FINALIZAREA EVENTUALELOR CONTRACTE IN CARE VA FI IMPLICAT LA DATA LUARII DECIZIEI.
9. TOATE ACESTE PRINCIPII AU FOST TRANSMISE DOAR DIN DORINTA DE A CREA O STRUCTURA ECONOMICA EXECUTIVA CARE SA FIE FLEXIBILE SI ADAPTABILA LA DESELE MODIFICARI SURVENITE DIN PACATE CONSTANT IN ULTIMUL TIMP IN DOMENIUL LEGISLATIV, FISCAL , ECONOMIC SI VINE CA UN REFLEX LA ACESTE TENDINTE.
10. PARTICIPAREA LIBER CONSIMITITA DE CATRE MEMBRII LA ACEASTA FORMA DE ORGANIZARE , REPREZINTA O DOVADA CA INTERESUL NOSTRU A GASIT REZONANTA CU INTERESUL FIECARUI PARTENER SI PRIN O INSUMARE A EFORTURILOR NOASTRE POATE CONDUCE LA DEZVOLTAREA UNUI NOU - CONCEPT DE AFACERE IN ROMANIA, O AFACERE IN CARE VA TREBUI SA INVATAM SA FOLOSIM TOATE RESURSELE OBTINUTE INTR- O PERIOADA DE TIMP ANTERIOARA. RESURSE CUM AR FI : EXPERIENTA , ISTORIC , BRAND , SPECIALISTI.

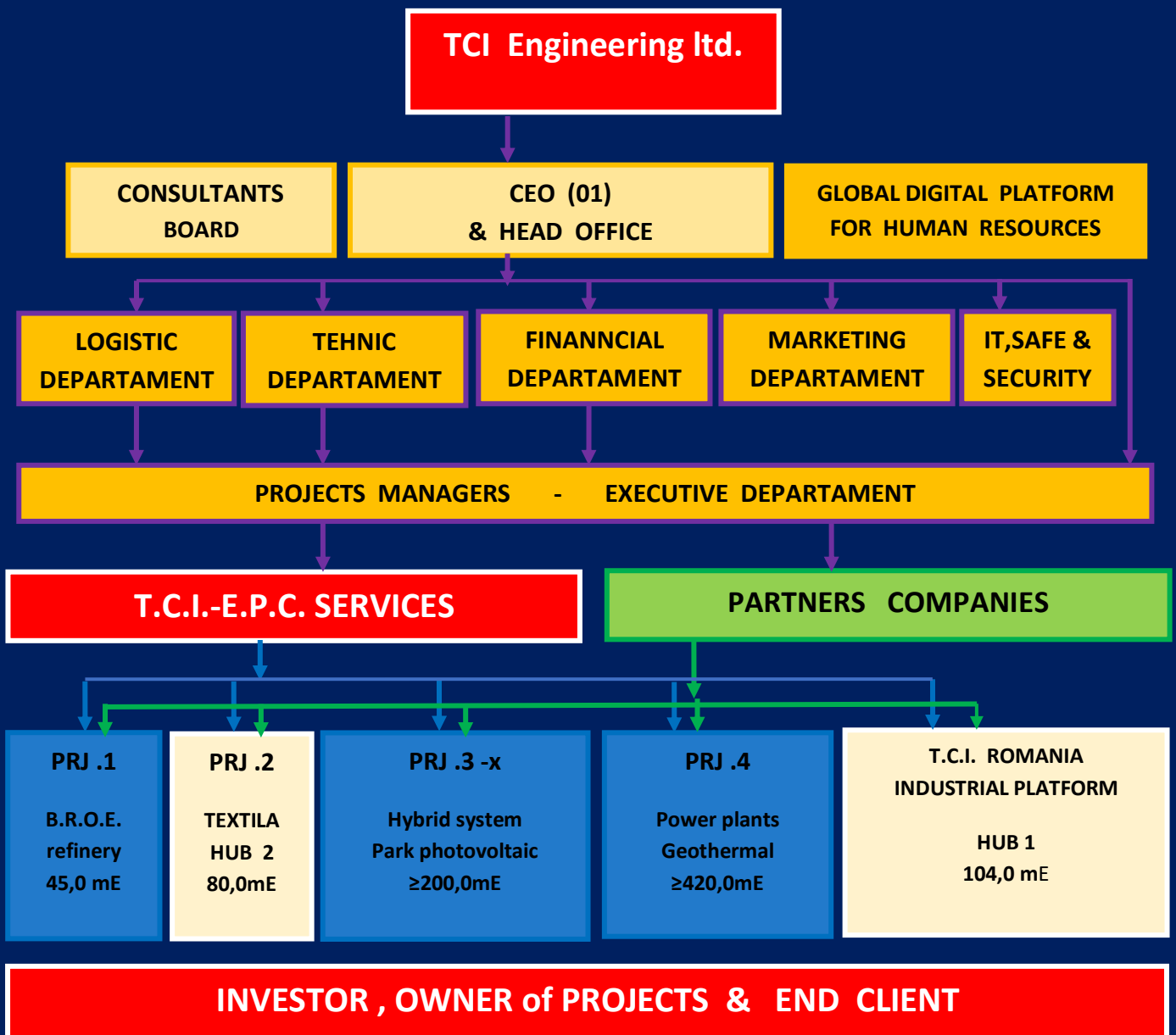
DECLARATIE Fondator din 2016 : Adrian Avram

OUR ORGANIZATION



Mr. Adrian AVRAM - CEO of T.C.I. Engineering Ltd.

& FOUNDER of T.C.I. CONSORTIUM
BOARD OF TCI Engineering Ltd.



WORK PLAN – COMMON VISION with CLIENT



SURVEY & MENTENANCE

LOGISTIC DEPARTMENT



Valentin TANASESCU

LOGISTIC GEN. MNG. , **bord member**



Mariana VLASCEANU

H.R. MANAGER



Gabriel NEGREA

Expert Dr. Eng. Design , **bord member**



Lucian PREDESCU

Executive Eng. Mng. , **bord member**



Dan MATEI , Executive Dr. Eng. Mng.



Mr. Marius ROMAN , Cyber Security Mng.

Notice 1 : at level of year 2017 , our team sume 7122 specialist from 52 companies partner

I. KNOW-HOW & lycenses



Prof. Mircea GEANA , Lycensors: UOPI Honeywell & Conoco Philips



Prof. Wilhelm KAPPEL , CEO ICPE –CA S.A. no.6th world Phisician



Prof. Aurelian BONDREA , Rector of SPIRU HARET University



Prof. Eden MAMUT , Rector of Nanotechnology Ovidiu

Notice 2 : Person from this list (chapter II) , represent in principal instituional entities and their ID are strictly confidential (in definition of romanian law)

II. SPECIAL & STRATEGIC PARTNERSHIP



Mr. Enrique AGUIRREZABALA , CEO & Global President of EEDC



Mr. Khalid ALMULLA , CEO of ALLMULA Investment , EAU



Mrs. Anka MEZEI , World AREA , **bord member**



Mr. Mohamed SANCHOULLI, EX- OPEC , CEO of ZALPARS



HE.Prince Abdullah Ibrahim , SAUDI ARABIA , ARAMCO

SPECIAL PARTNERSHIP - EEDC & TCI CONSORTIUM

ROMANIA 2015



DUBAI 2025



TAIWAN 2021-2025



THAILAND 2020-2015



SOUTH KOREA 2023-2025



DUBAI 2025 –ALLMULA INVESTMENT

PROJECT REVAMP BANYAS REFINERY - SYRIA – 2025-2030



GERMANY 2021-2022

HAMBURG PORT 1



IRAN 2017 - ZALPARS GROUP

OIL REFINERY MASHAD



III. TRUSTEE PARTNER for PROMOTE



Mr. Boki RADULOVIC , for SERBIA , UNITED STATES , UK



Mr. Reza RAHMAN , for CSI, MIDDLE EAST , IRAN



Mr. Yosef Yanni , for ISRAEL , GERMANY



Mr. Enghin OMER , for TURKEY , MIDDLE EAST

Notice 3 : Alls our agreements involved few elementary words , like : trust , good standing , common apreciation , loyalty, benefitts for all parts.

PARTNERS COMPANIES (SHORT LIST)



Mr. Gheorghe CALBUREAN

CEO & Owner of : DAFORA DRILLING S.A., CONDMAG Brasov S.A. , TRANSGEX Oradea S.A.



STRIVING FOR EXCELLENCE

2015





Mrs. Mihaela ZANFIR

CEO & co-Owner of : T.M.U.C.B. S.A.





Mr. Anton MAZARIANU , CEO & co –Owner of : COMES S.



INVESTMENTS 2017 -2019

In between 2017- 2019 we plan to develop a new project for building another workshop facility, in the same location, for fabrication of heavy equipments, at between 60-160 tons, fully equipped

Certified Quality

ISO 9001:2015
ISO 14001:2005
OHSAS 18001:2008

PED 2014/68/EU

ASME code
"U", "U2" & "R" stamp

AD 2000
SR EN 1090-1:2012

TR CU 010/2011 & TR CU 032/2013



Mr. Anthonsis LEMONIAS

CEO & Owner of : MEK S.A. , BEK S.A., E.G. and

Vice president of Helenik businessmen worldwide

MEK S.A.
Steel structures - Machinery works

www.meksa.gr - info@meksa.gr

VEF.O.S. 1st INDUSTRIAL AREA VELIZOS PC 188 08 TEL: +35 210189412 - FAX: +30 2121285434
ATHENS: IAS KONSTANTINOY 12 PC 118 58 TEL: +35 210243627 - FAX: +30 210244827

MEK S.A. Steel Structures - Machinery Works

Introduction

MEK S.A. is a company with longational experience in steel structures and machinery works. MEK is absolutely full in with the demands of contemporary technology. The main object that MEK S.A. deals with is the construction of steel buildings, special industrial equipment and machines, such as:

- Industrial buildings and Offices
- Steel Structures
- Steel machinery buildings
- Bridge cranes and jibs
- Special production machines, belt conveyors, cranes
- Industrial sites, tanks, systems, ducts, separators, heat exchangers
- Steel machine frames, machine housing machinery
- Welding, elementary cemented L, seams, coating systems, rotary bins
- Constructions for electronic steel, bag filters, cranes

The company owns two factories in the 1st and one in the 2nd Industrial Area of Velizos. The table below gives even more information for the factories:

	Land	Covered area	Office	Bridge Cranes
MEK 01	4.900 m ²	1.600 m ²	210 m ²	3x5t
MEK 02	32.900 m ²	10.500 m ²	1.270 m ²	5x10t-5x8t-6x5t-3x3t
MEK 03	36.500 m ²	13.000 m ²	860 m ²	1x10t-3x5t
Total	73.500 m²	31.900 m²	2.470 m²	

www.meksa.gr - info@meksa.gr

MEK S.A. Steel Structures - Machinery Works

Production photos

Production area aspect of MEK 02

Production area aspect of MEK 01

www.meksa.gr - info@meksa.gr

MEK S.A.

AKTOR - CONSTRUCTION OF WAREHOUSES SINDOS - AREA : 10.000 m²

METKA - RECONSTRUCTION OF OAKA STADIUM ATHENS - WEIGHT: 200t

MEK S.A.

MOCHLOS- MULTI-FLOOR STEEL CONSTRUCTIONS FOR THE OLYMPIC JOURNALIST'S HOSPITALITY CENTER ATHENS - AREA: 10.000 m²

CONSTEEL WAREHOUSES SARMET THIVA AREA: 20.000 m²

MEK S.A.

INTRAMET BUILDINGS LARISA AREA 15.000m² & 16 BRIDGE CRANES 1996 until 2004



Mr. Ilias KALIKERINOS

CEO & co-Owner of : NILKA SYSTEM S.A





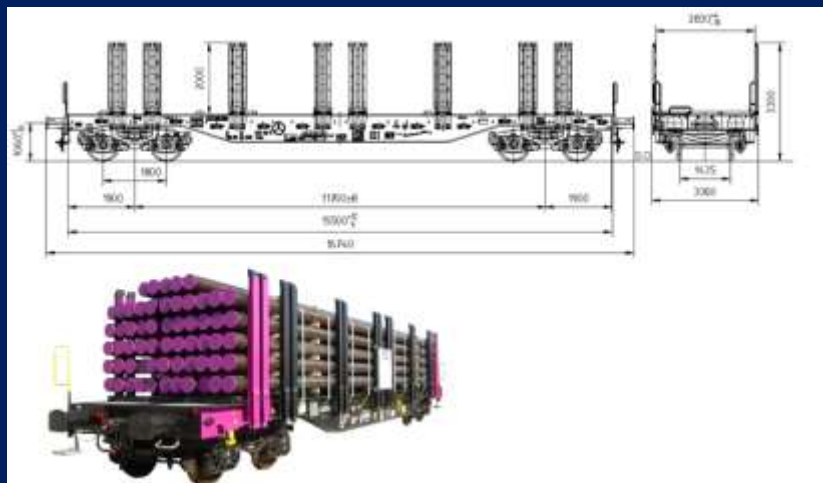
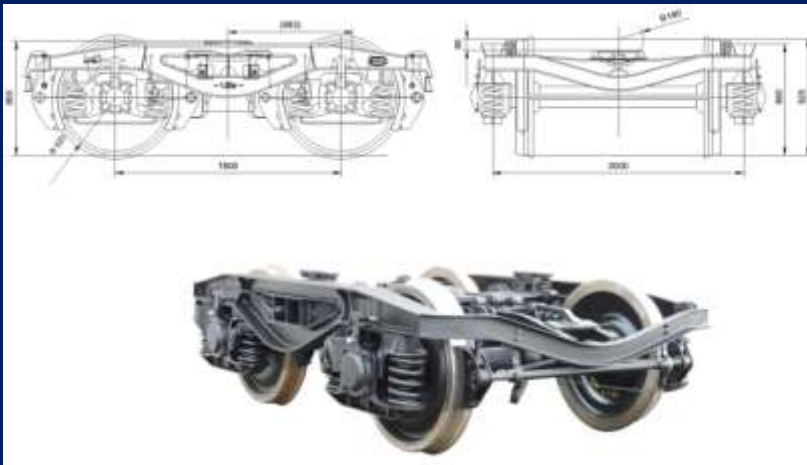
Mr. Mehmet Ali
KARTAL
CEO & co-Owner of : KARTAL Group S.A., KBS





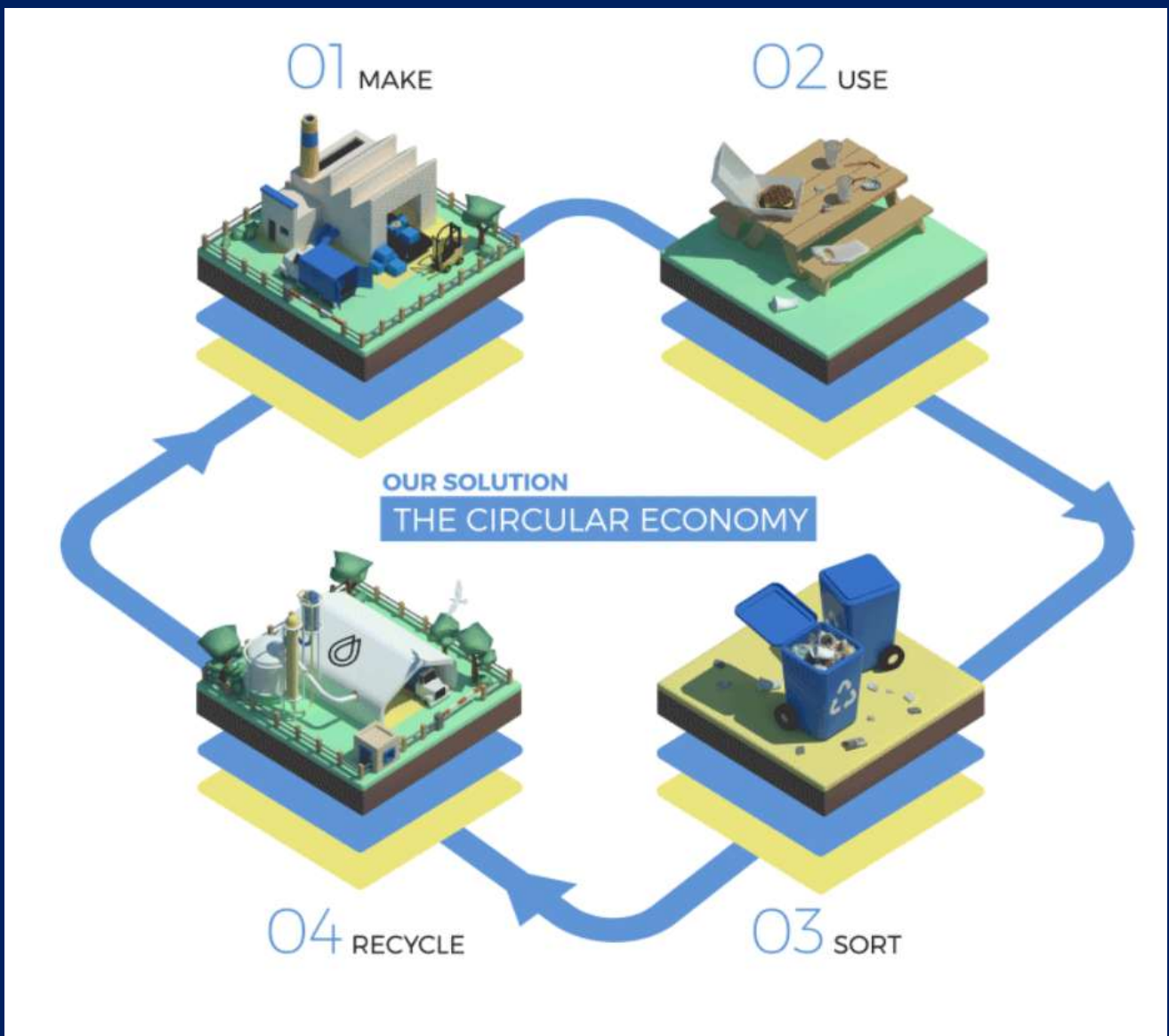


Mr. Gheorghe POPESCU
Ceo & co- Owner of : TRANSWAGON AD , TRAKSTAYA S.A.





Mr. Marius Gerard NECULA
CEO & Founder : ALLIANCE for NATURE



MANY THANKS !